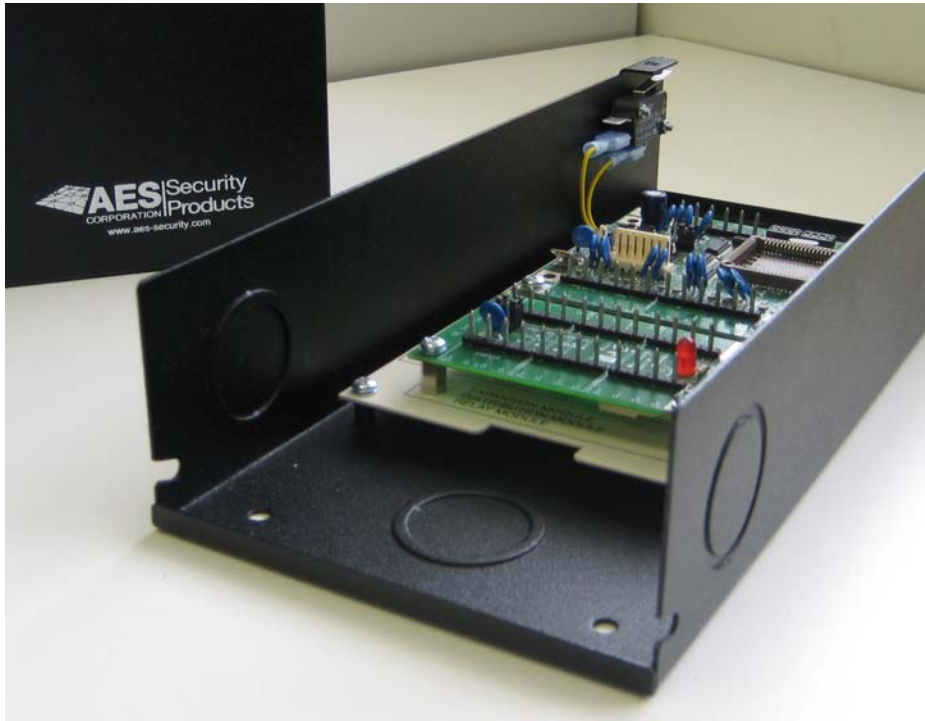


6812

Metal Enclosure



- Rugged Steel Case with Tamper Switch
- Great for Electrical and Security Applications:
LAN / Security / Fiber Optic / Building Controls

Plenty of room for connections and cabling, including fiber and coax. Removable mounting plate and open ends allow easy installer access for wiring and mounting.

Specifications

Size (approx): 11.5 X 3 X 5.8 in (29x7.6x14.7 cm)

Weight (approx): 2 pounds (4.4 kilograms)

Material: Base and cover are 18 ga steel; plate is 16 ga steel

Finish: Powdercoat, black, mini-texture (reduces fingerprints, smudges)

Tamper Switch: NO / NC;

Conduit Access: Five (5) concentric knockouts, for 3/4" or 1" conduit

Ordering: Order Part Number AES 6812.

Case assembly includes base, cover and mounting plate.

AES Corporation

Call 1-800-237-6387

285 Newbury Street • Peabody, MA 01960 USA

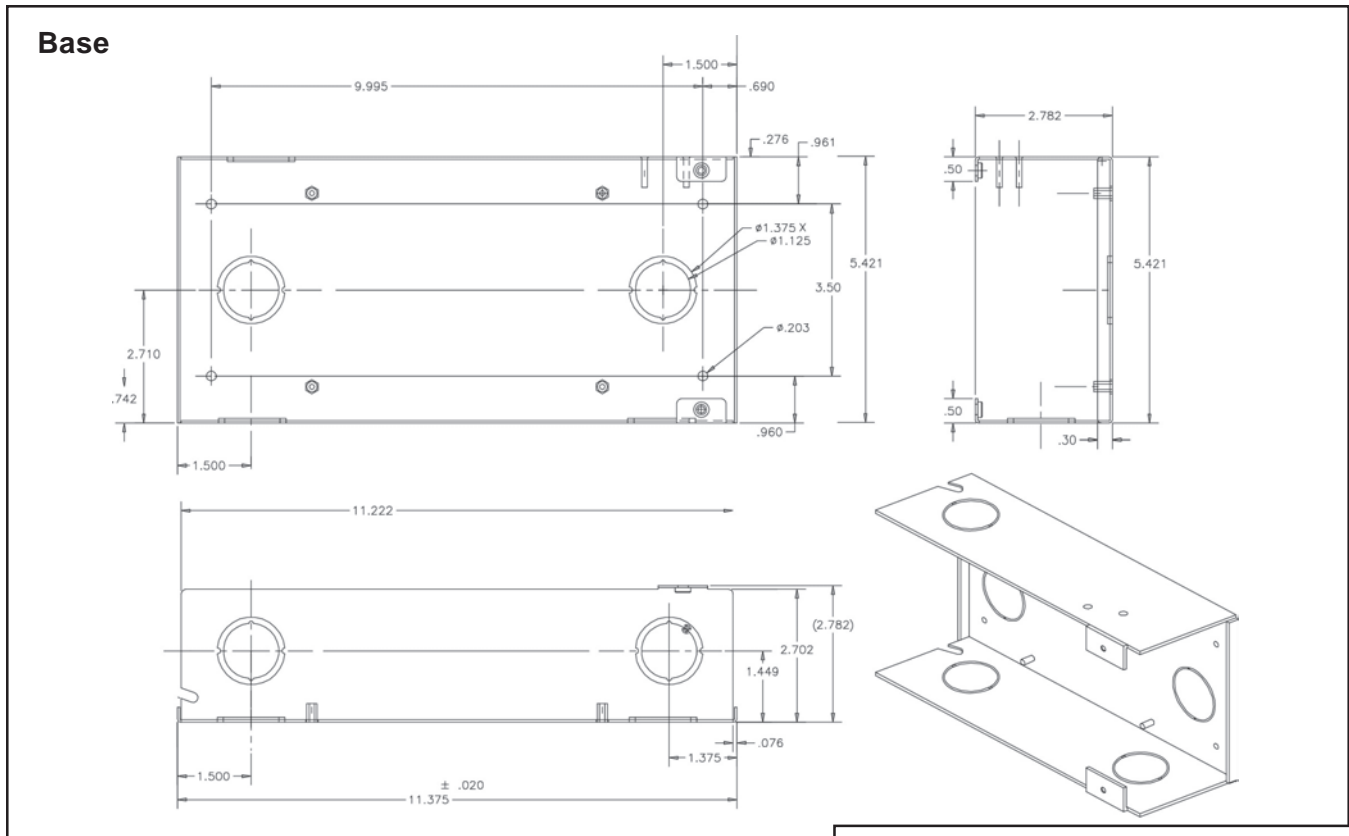
Tel +1-978-535-7310 • Fax +1-978-535-7313

<http://www.aes-security.com>



- Wall Mount Box with Removable Hinged Cover
- Rugged Steel Construction
- Built-In Tamper Protection
- Universal Mounting Plate Included
- Wall Mounting with Removable Cover
- Accepts up to 1 Inch Conduit
- Textured Finish for Neat Appearance in Public Areas

Dimensions

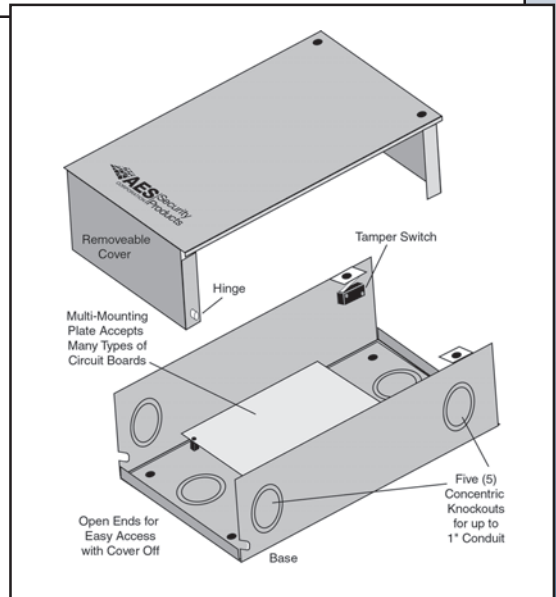


Mounting Plate

The 6812 includes a “universal” plate with pre-tapped holes for mounting the following types of equipment:

- HSAS Parts: ALM 372, ALM 375, ALM 376, ALM 381, TVK 865, TVK 866,
- AES “CAI” Parts: 6868e, 6864
- GE Parts 1210, s71,
- Cinch 8 Zone Input Module
- And, add your own holes to mount any device on the rugged steel plate.

Ordering: Order Part Number AES 6812.
Case assembly includes base, cover and mounting plate.



AES Corporation

Call 1-800-237-6387

285 Newbury Street • Peabody, MA 01960 USA

Tel +1-978-535-7310 • Fax +1-978-535-7313

<http://www.aes-security.com>

