

7003

AES IntelliNet
CORPORATION | For Alarm Monitoring

Wireless Mesh Network Receiver System



The 7003 Central Receiver is the first choice for non-UL applications that require a rugged and affordable operator-owned Central Receiver. Designed to manage an AES-IntelliNet wireless alarm communications network, the 7003 provides two-way communications, redundant alarm communications paths, and the components to provide top quality monitoring for burglary or other critical event signaling. The 7003 is available in single or dual redundant configurations.

Support for all Major Alarm Panels

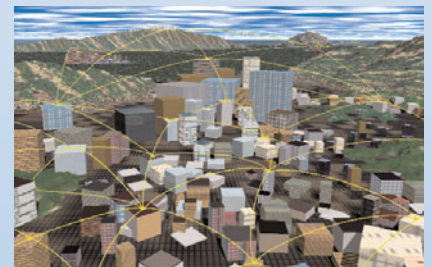
The 7003 supports Radionics 6500, Ademco 685 and Contact ID emulation for output to alarm automation software and is compatible with all major alarm panels.

7003 Central Receiver System Components

7030 – B Transceiver – The 7003 includes a transceiver housed in a rugged case with back up battery. The 7030-B should be located near the antenna for maximum effective power output.

7003 RF Components – The primary receiver for the network also is equipped with high gain antenna and band pass filter for enhanced radio performance and long distance communications.

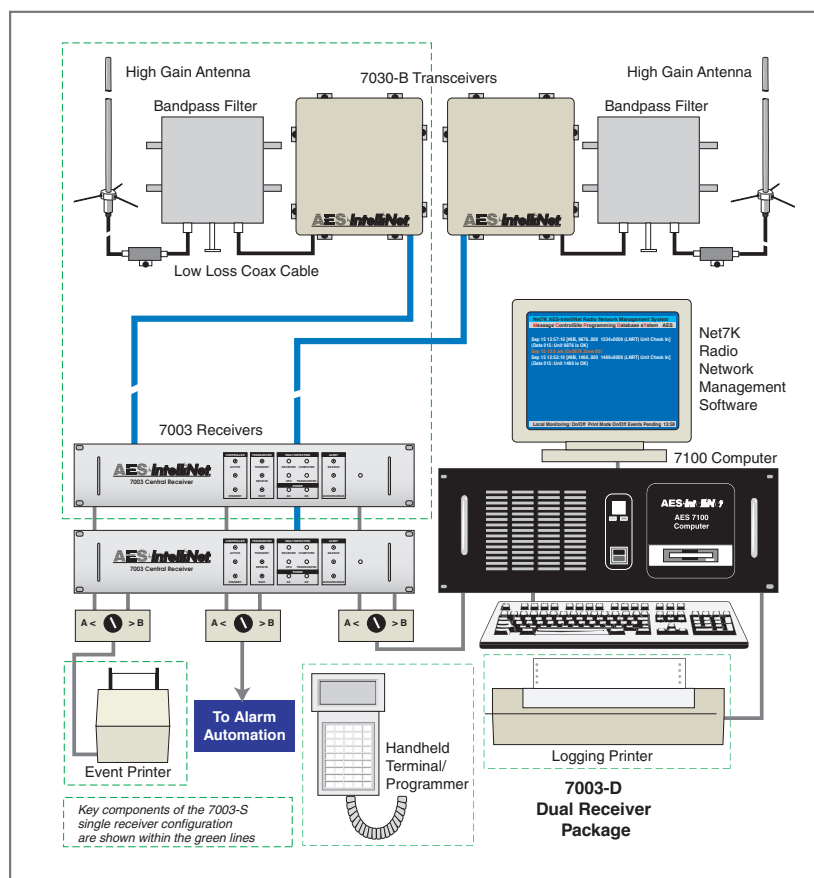
7100 – Network Computer – The 7100 provides powerful tools for remote network management, diagnostics, programming, and control functions. The 7100 is powered by AES-IntelliNet Net 7000 software, the most advanced wireless network management software available.



Wireless mesh networking is an innovative technology adopted by many industries with applications that need to communicate data over a large geographic area with a high level of reliability at a low total cost of ownership.

The advanced design and 2-way communications capability provides easy installation, expansion, and management when compared to alternative communication methods, both wired and wireless.

7003 Wireless Mesh Network Receiver System



7003 Dual Redundant Configuration – one primary, one backup

AES-IntelliNet™ is the industry leader in delivering high quality wireless mesh networks to the fire and security industry in commercial, corporate, government, and educational applications with its broad line of products and advanced network management tools. Users of AES-IntelliNet networks have gained significant revenue, communications, and cost advantages while meeting the high standards of reliability required for the fire and security industry. AES-IntelliNet alarm monitoring systems are deployed at hundreds of thousands of locations in over 130 countries.



For more information

Call 800-AES-NETS (800-237-6387)

AES Corporation | 285 Newbury Street | Peabody, MA 01960 USA

Tel. +1 978-535-7310 | Fax +1 978-535-7313 | Email info@aes-intellinet.com

Web www.aes-intellinet.com

Technical Specifications

Configurations

7003-S Single Receiver System

7003-SL Single Receiver <100 Alarms

7003-D Dual Receiver System

Radio

Standard Frequency ranges

UHF 450-480 MHz, VHF 150-174 MHz
(Others Available)

Standard Output Power

2 Watts (optional 5 Watts)

7003 Receiver/7030-B Transceiver

Power Input

16.5 VAC, 40 VA

System Voltage

12VDC nominal

Back-Up Battery

12V, 7AH (housed in 7030-B)

Size (HxWxD)

7003 System Receiver –

3.5" x 19" x 10" / 8.9 x 48 x 25 cm

7030-B Radio Transceiver –

14" x 11.5" x 6" / 35.5 x 29 x 15.2 cm

7100 Computer

Power Input

115/230V, 50/60 Hz

Size (HxWxD)

7" x 19" x 21" / 17.7 x 48 x 53 cm

Logging Printer for 7100

80 Column

Power Input

115V, 60 Hz

Size (H x W x D)

8" x 16" x 11" / 20 x 40.6 x 28 cm

Event Printer for 7003

40 column

Power Input

115V, 60Hz

Size (H x W x D)

7" x 6.5" x 11" / 17.8 x 16.5 x 28 cm

Copyright 2004 AES Corp.

AES-IntelliNet is a registered trademark of AES Corp.

7003/11/04/R1